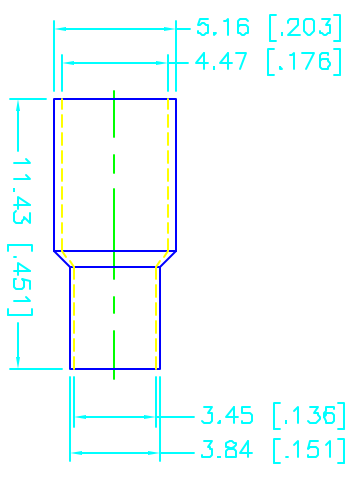
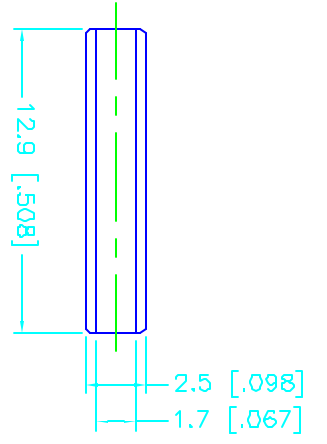
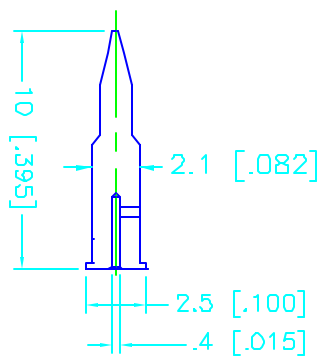
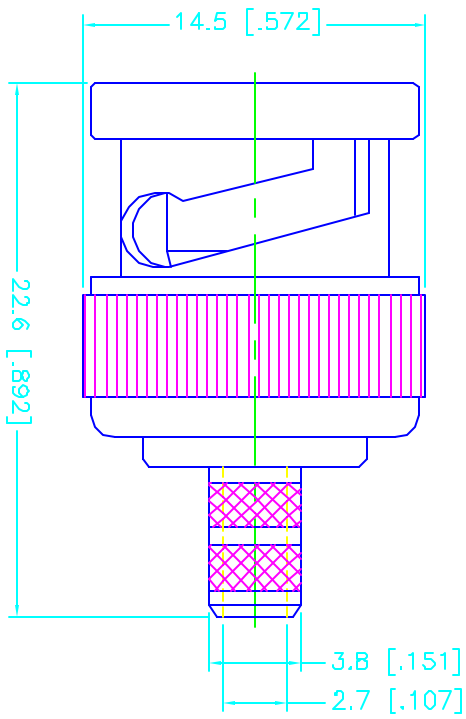
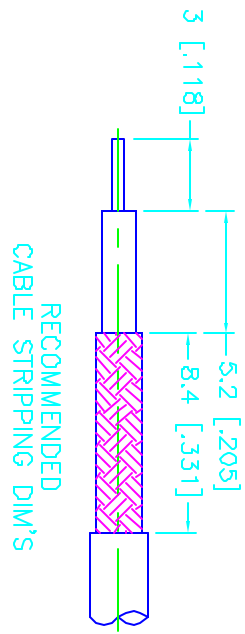


| REV. | DATE     | DESCRIPTION     |
|------|----------|-----------------|
| NC   | 11/08/99 | INITIAL RELEASE |



| 8 |             |             |         |  |  |  |  |  |  |
|---|-------------|-------------|---------|--|--|--|--|--|--|
| 7 |             |             |         |  |  |  |  |  |  |
| 6 |             |             |         |  |  |  |  |  |  |
| 5 |             |             |         |  |  |  |  |  |  |
| 4 | FERRULE     | COPPER      | NICKEL  |  |  |  |  |  |  |
| 3 | INSULATOR   | DELRIIN     | NATURAL |  |  |  |  |  |  |
| 2 | CONTACT PIN | BER, COPPER | GOLD    |  |  |  |  |  |  |
| 1 | BODY        | BRASS       | NICKEL  |  |  |  |  |  |  |
|   | DESCRIPTION | MATERIAL    | FINISH  |  |  |  |  |  |  |

|   |  |              |          |
|---|--|--------------|----------|
| UNLESS OTHERWISE SPECIFIED, DIMENSIONS ARE IN MILLIMETERS   |  | APPROVALS    | DATE     |
| DIMENSIONS IN [ ] ARE IN INCHES FOR CUSTOMER REFERENCE ONLY |  | DRAWN G.R.S. | 11/08/99 |
| UNLESS OTHERWISE SPECIFIED, TOLERANCES FOR MILLIMETERS ARE: |  | CHECKED      |          |
| 0.5-6 = ± 0.2   |  | ISSUED       |          |
| 6-30 = ± 0.4  |  |              |          |
| 30-120 = ± 0.6  |  |              |          |
| 120-315 = ± 1   |  |              |          |
| 315-1000 = ± 1.6  |  |              |          |
| 1000-2000 = ± 2.4   |  |              |          |
| DO NOT SCALE DRAWING  |  |              |          |

|                                  |          |            |          |        |
|----------------------------------|----------|------------|----------|--------|
| TITLE                            |          | SCALE      | PART NO. | SHEET  |
| (FOR RG179/U DOUBLE BRAID CABLE) |          | NA         | 112644   | 1 OF 1 |
| BNC CRIMP PLUG                   |          |            |          |        |
| Connector Corporation            |          |            |          |        |
| COMNEX                           |          |            |          |        |
| SIZE                             | FORM NO. | DWG. NO.   | REV.     |        |
| A                                | 99001    | 112644.DWG | NC       |        |